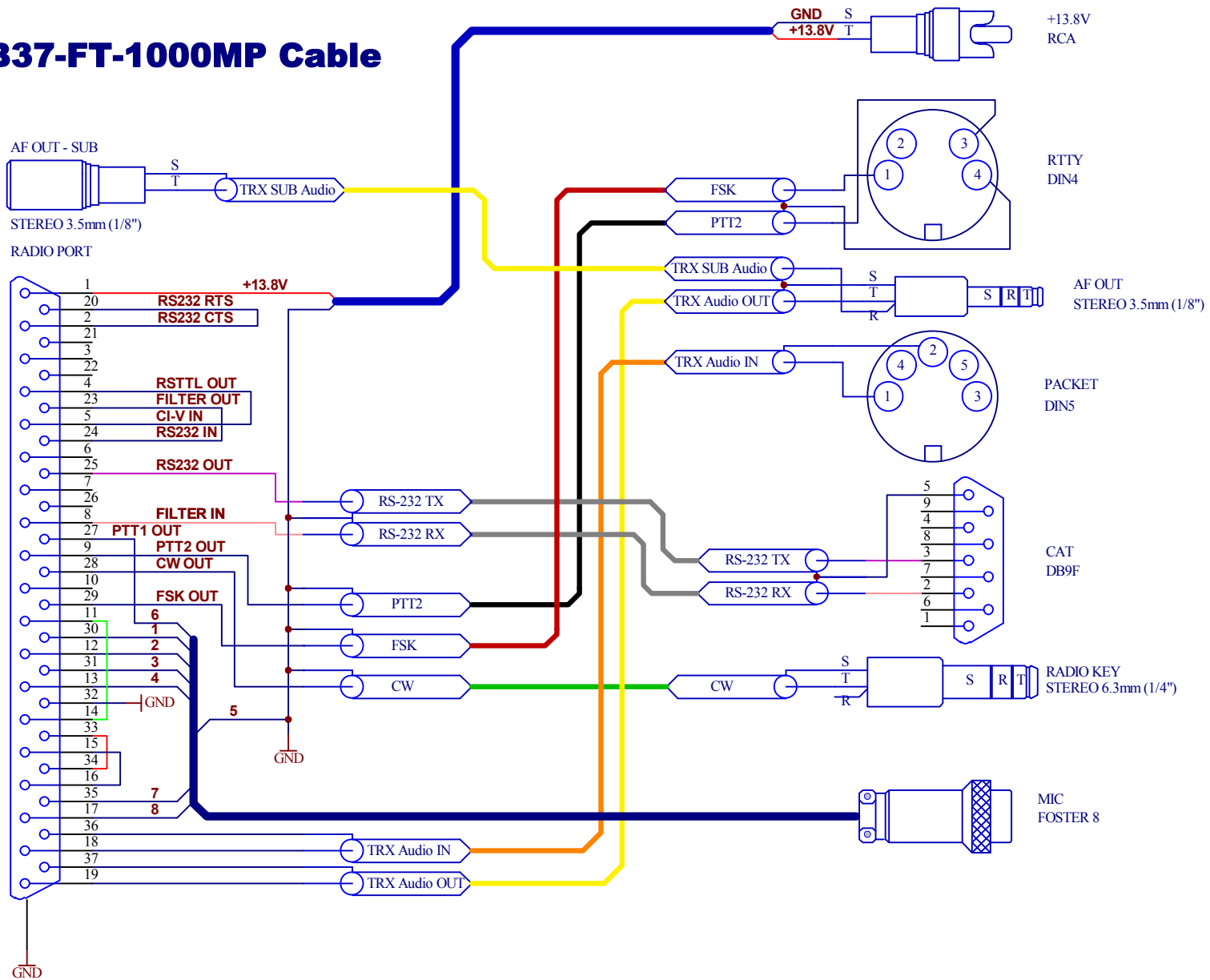


# DB37-FT-1000MP Cable



**FT- 1000MP, 1000MPmkV, 1000MPmkVField**

**Notes:**

**PTT1 is used for CW/SSB, PTT2 for digital modes**

**S = Sleeve  
T = Tip  
R = Ring**